



DELTA-XERO

THE FUTURE IS SYSTEM RELIABILITY

DX1002-W-PT

The modern, eco-friendly solution to fluid condition

- Particle filtration down to **0.1 μm**
- Designed for diesel and kerosene
- Smart & effective maintenance system
- Operation and maintenance cost reduction
- Extend equipment lifetime
- Extend oil drain intervals
- Minimised fluid oxidation
- Mitigation and reduction of varnish
- Increased production uptime
- Reduced fluid changes
- Eco-friendly
- Easy to service
- **100% Recycled** media

Maintaining healthy fluid by removing:

- Abrasive material to down 0.1 μm
- Bacteria
- Water bound free and emulsified
- Oxidation products (Sludge and resin)
- Siloxane



DX1002-W-PT

Drive Input	Electric
Connection Ports	Fluid dependant
Flow Indicator	Visual
Suggested System Volume	Fluid dependant
Flow rate	Starting from 3.0 lpm - Varies per application
Particulate Removal	From 0.1 μm
Weight	15Kg
Dimensions	H 766 mm x D 261 mm x L 442 mm
Material	SS316
DXPT Cartridge QTY	2

© 2022 Delta-Xero All Rights Reserved. All information contained in this publication is indicative only and may be subject to change without prior notice.



ایران - تهران - خیابان پاسداران پستستان هشتم
پلاک ۱ - برج آبتین، طبقه ۴ - واحد ۹
شماره تماس: ۰۲۱ ۷۲۶۴۰۰۰
info@rnaco.com

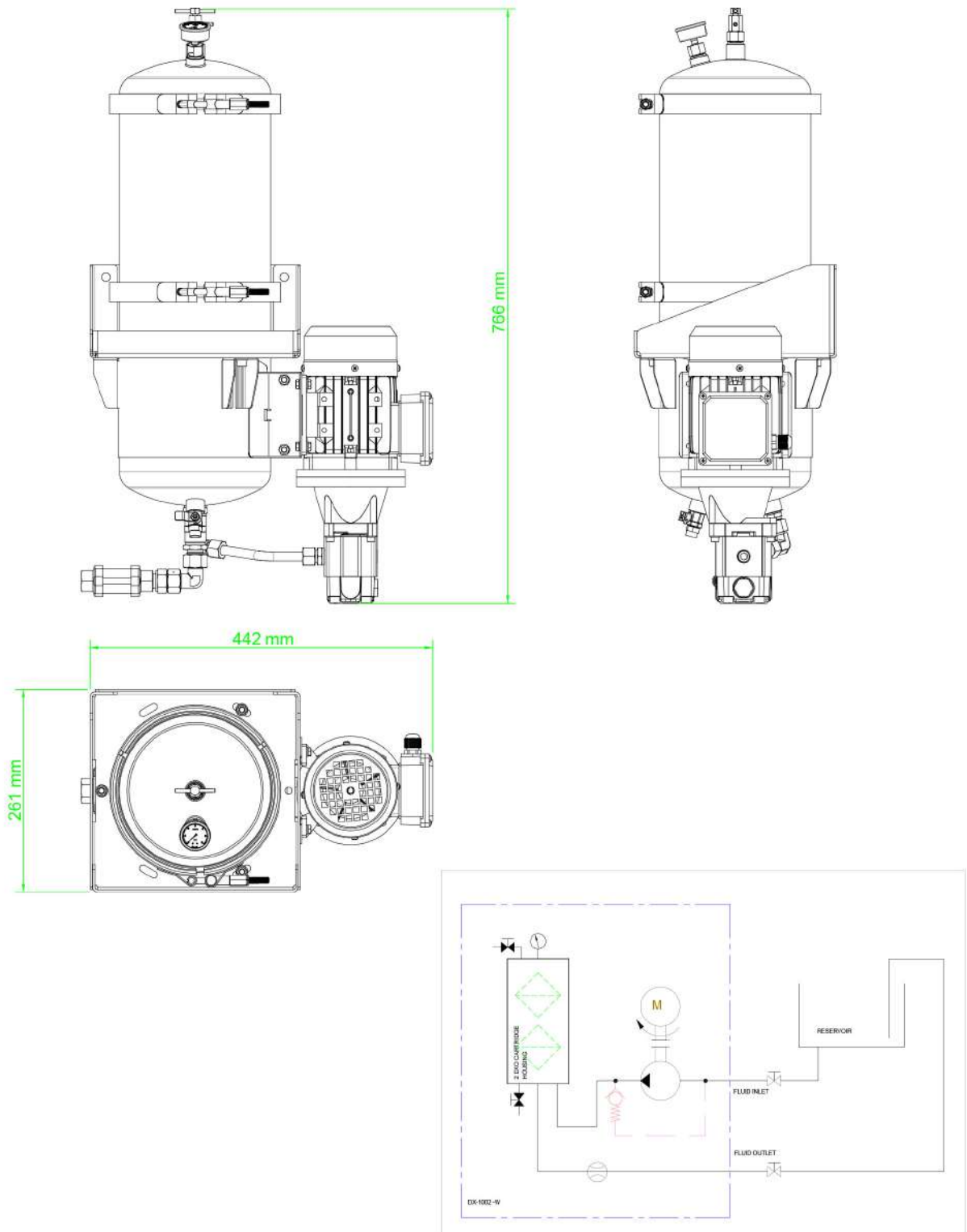




DELTA-XERO

THE FUTURE IS SYSTEM RELIABILITY

General Arrangement



© 2022 Delta-Xero All Rights Reserved. All information contained in this publication is indicative only and may be subject to change without prior notice.



ایران - تهران - خیابان پاسداران پستستان هشتم
پلاک ۱ - برج آبتین، طبقه ۴ - واحد ۹
شماره تماس: ۰۲۱ ۷۳۶۴۰۰۰
info@rnaco.com



نماینده فروش و خدمات پس از فروش DELTA-XERO در ایران