



DELTA-XERO

THE FUTURE IS SYSTEM RELIABILITY

DX1006-T-PT

The modern, eco-friendly solution to fluid conditioning for Diesel

- Particle filtration down to **0.1 μm**
- Designed for diesel and kerosene
- Smart & effective maintenance system
- Operation and maintenance cost reduction
- Extend equipment lifetime
- Eco-friendly
- Easy to service
- Reduced emissions
- **100% Recycled** media

Maintaining healthy fluid by removing:

- Abrasive material to down 0.1 μm
- Bacteria
- Fungus
- Ashphaltenes
- Wax deposits
- Water bound free and emulsified



DX1006-T-PT

Drive Input	Electric
Connection Ports	1" Inlet 3/4" outlet
Flow Indicator	Visual
Suggested System Volume	Fluid dependant
Flow rate	Starting from 22lpm
Particulate Removal	From 0.1 μm
Weight	60Kg
Dimensions	H 1158 mm x D 300 mm x L 825 mm
Material	SS316
DXPT Cartridge QTY	6

© 2022 Delta-Xero All Rights Reserved. All information contained in this publication is indicative only and may be subject to change without prior notice.



ایران - تهران - خیابان پاسداران پستمان هشتم
پلاک ۱ - برج آبتین، طبقه ۴ - واحد ۹
شماره تماس: ۰۲۱ ۷۳۶۴۰۰۰
info@rnaco.com



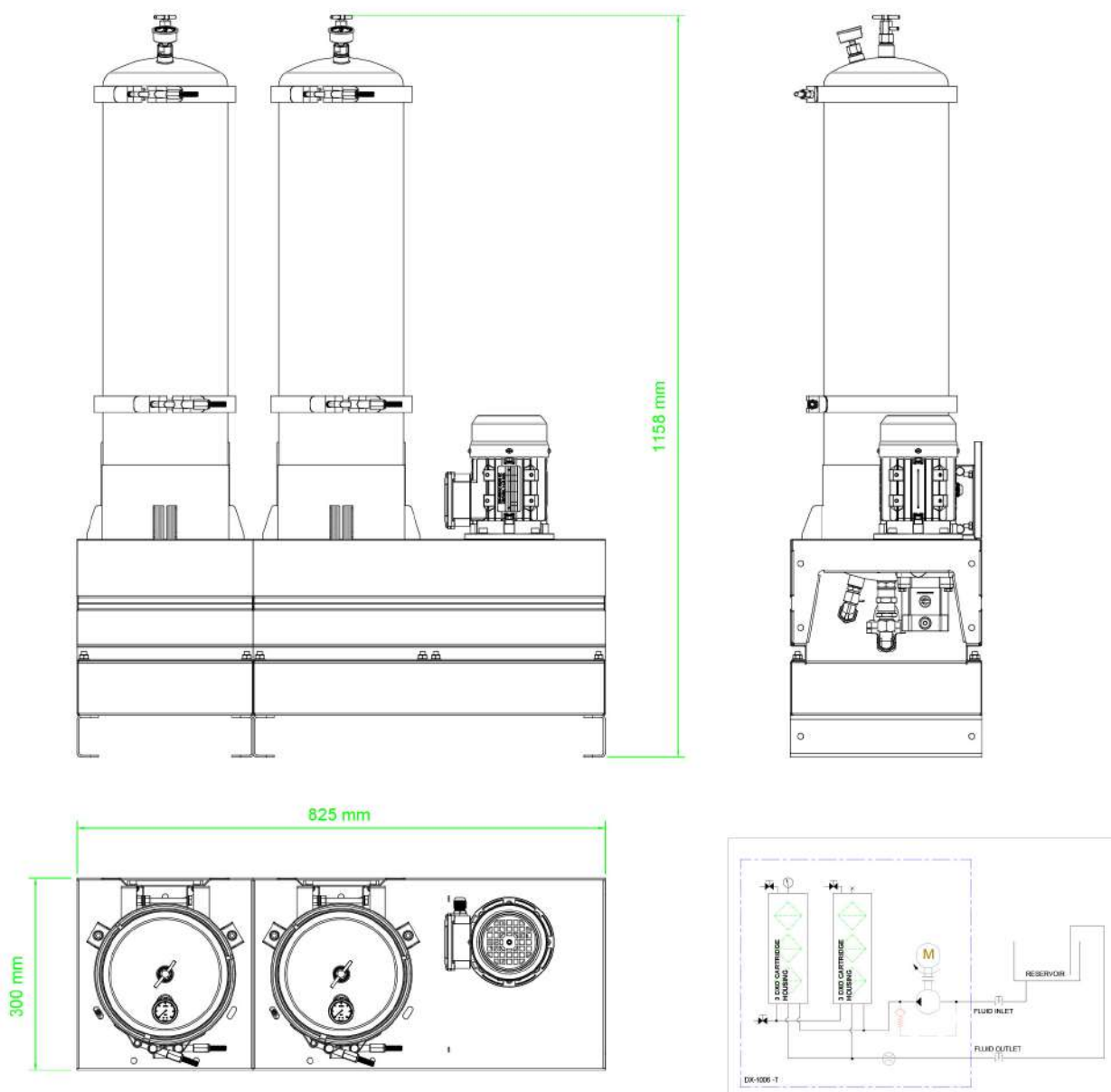
نماینده فروش و خدمات پس از فروش DELTA-XERO در ایران



DELTA-XERO

THE FUTURE IS SYSTEM RELIABILITY

General Arrangement



© 2022 Delta-Xero All Rights Reserved. All information contained in this publication is indicative only and may be subject to change without prior notice.



ایران - تهران - خیابان پاسداران پستستان هشتم
پلاک ۱ - برج آبتین، طبقه ۴ - واحد ۹
شماره تماس: ۰۲۱ ۷۳۶۴۰۰۰
info@rnaco.com



نماینده فروش و خدمات پس از فروش DELTA-XERO در ایران