



DX1002-T-ATEX1

The DX modular housing arrangement offers a flexible and space conscious solution to integrating our innovative DXO Cartridge to both new and existing systems. We provide up to 12 cartridges as a single unit in a compact and easily maintainable layout with a 'push button' oil sampling port.

The unit can be supplied with a number of standard options to provide an effective conditioning and monitoring package to suit the majority of systems. The flexibility of the unit allows tailoring to a customer's specific requirements.



DXO Cartridge

Dirt capacity:	4,5kg, 0.1 micron
Water absorption, free and bound:	M 2600ml
Material insert:	Cellulose, Polypropylene

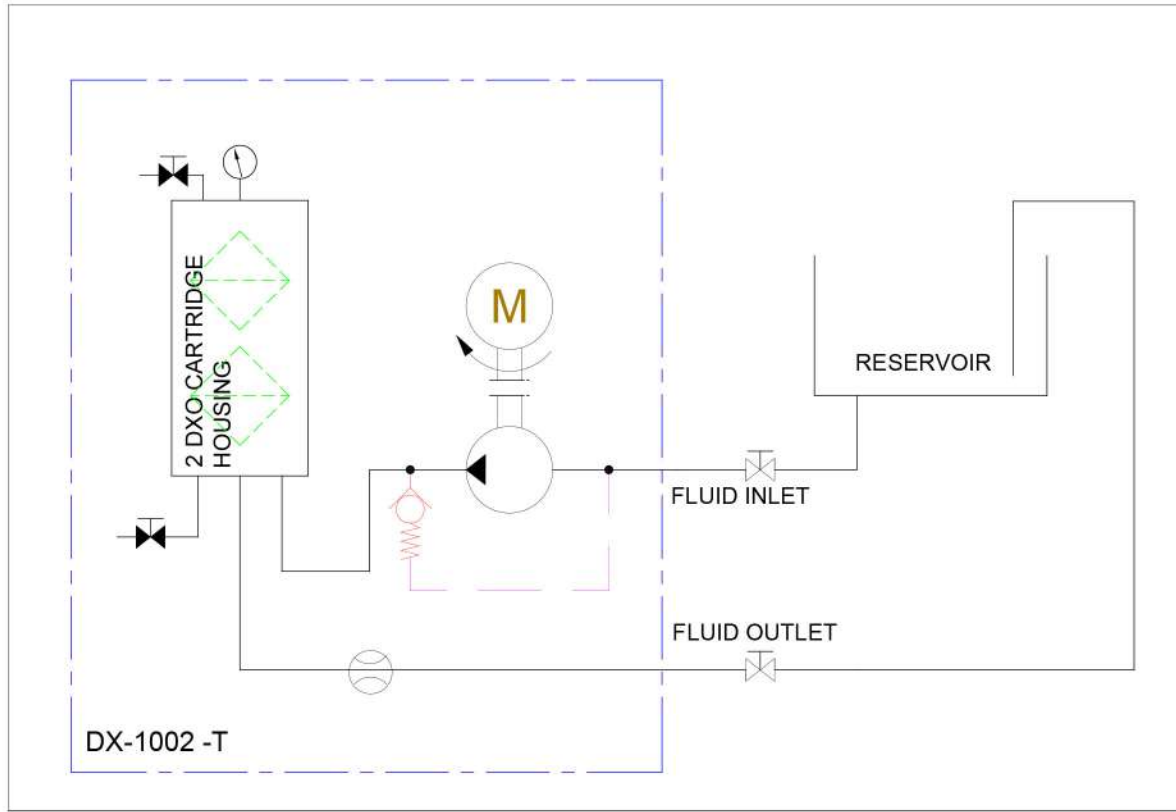


© 2022 Delta-Xero All Rights Reserved. All information contained in this publication is indicative only and may be subject to change without prior notice.



ایران - تهران - خیابان پاسداران پستستان هشتم
پلاک ۱ - برج آبتین، طبقه ۴ - واحد ۹
شماره تماس: ۰۲۱ ۷۳۶۴۰۰۰
info@rnaco.com

Technical Specification



DX1002-T-ATEX1

AC Power 0,25KW, 220-400 VAC, 50/60Hz

Connection Ports 1/2" BSP In & 3/8" BSP Out

Flow Indicator Visual

Suggested System Volume 9000 Litres @ 32cSt

Flow Rate (varies depending on viscosity, pressure and temperature)

Approx flow at 2.7 bar:	32 cSt	46 cSt	68 cSt	100 cSt	220 cSt	320 cSt	460 cSt
	25 l/min	20 l/min	16 l/min	12 l/min	0.8 l/min	0.4 l/min	0.2 l/min
Oil Volume	9000ltrs	7000ltrs	6000ltrs	4800ltrs	3600ltrs	1600ltrs	800ltrs

Micron Rating 0,1 Micron

Weight 25kg

Measure [mm] H 916 x D 300 x L 550

Material SS316

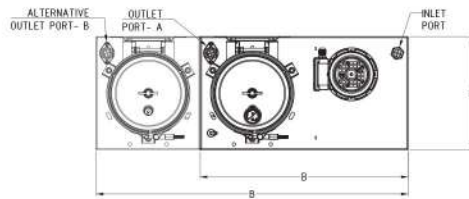
DXO Cartridge 2

ATEX Zone II 2 G Ex db h IIC T4 Gb +1°C ≤ Ta ≤ 50°C

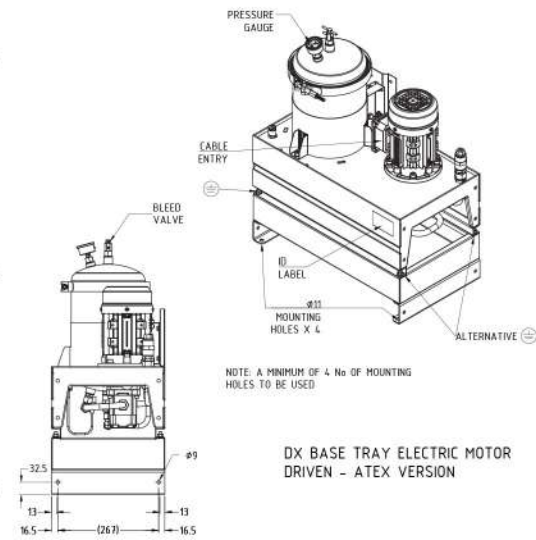
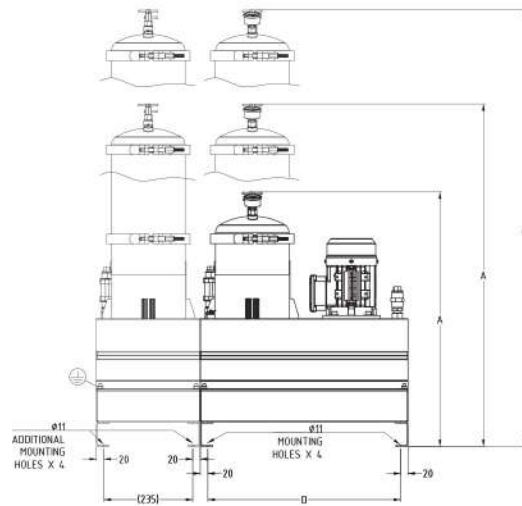


ایران - تهران - خیابان پاسداران بهستان هشتم
 پلاک ۱ - برج آبتین، طبقه ۴ - واحد ۹
 شماره تماس: ۰۲۱ ۷۳۶۴۰۰۰
 info@rnaco.com

General Arrangement



DIM. / UNIT NO.	DX1001**	DX1002**	DX1003**	DX1004**	DX1006**
DIMENSION-A	675mm	908mm	1157mm	908mm	1157mm
DIMENSION-B	550mm	550mm	550mm	825mm	825mm
DIMENSION-C	300mm	300mm	300mm	300mm	300mm
DIMENSION-D	510mm	510mm	510mm	785mm	785mm
EARTH BOSS	M8	M8	M8	M8	M8
INLET PORT	1/2" BSPP	1/2" BSPP	1/2" BSPP	1/2" BSPP	1/2" BSPP
OUTLET PORT	3/8" BSPP	3/8" BSPP	3/8" BSPP	3/8" BSPP	3/8" BSPP
MOUNTING HOLES	4	4	4	8	8
OUTLET PORT POSN	A	A	A	B	B



ایران - تهران - خیابان پاسداران بیست و هشتم
پلاک ۱ - برج آبتین، طبقه ۴ - واحد ۹
شماره تماس: ۰۲۱ ۷۳۶۴۰۰۰
info@rnaco.com