



DX1002-W-ATEX1

The DX modular housing arrangement offers a flexible and space conscious solution to integrating our innovative DXO Cartridge to both new and existing systems. We provide up to 12 cartridges as a single unit in a compact and easily maintainable layout.

The unit can be supplied with a number of standard options to provide an effective conditioning and monitoring package to suit the majority of systems. The flexibility of the unit allows tailoring to a customer's specific requirements.



DXO Cartridge

Dirt capacity:	4.5kg, 0.1 micron
Water absorption, free and bound:	M 2600ml
Material insert:	Cellulose, Polypropylene

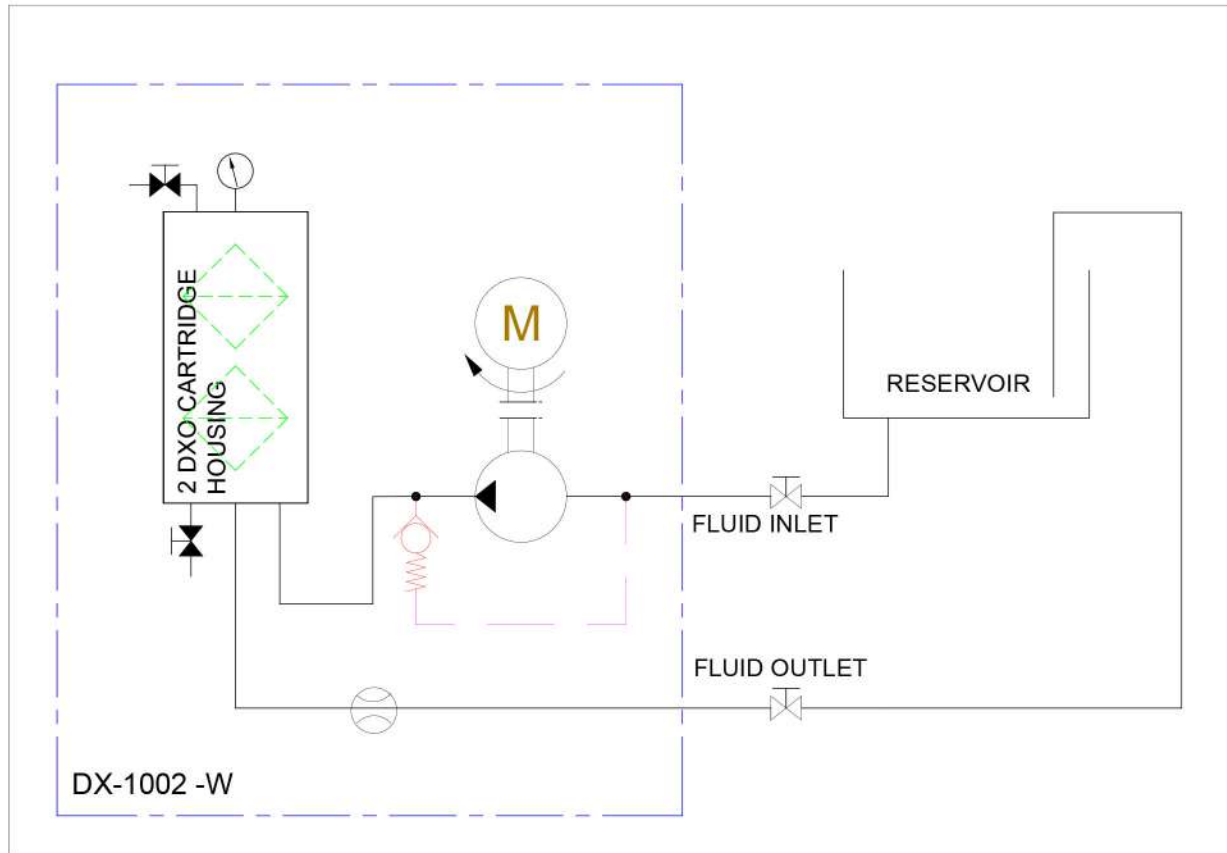


© 2022 Delta-Xero All Rights Reserved. All information contained in this publication is indicative only and may be subject to change without prior notice.



ایران - تهران - خیابان پاسداران بیست و هشتم
پلاک ۱ - برج آبتین، طبقه ۴ - واحد ۹
شماره تماس: ۰۲۱ ۷۳۶۴۰۰۰
info@rnaco.com

Technical Specification



DX1002-W-ATEX1

AC Power 0.25KW, 220-400 VAC, 50/60Hz

Connection Ports 3/8" BSP In & Out

Flow Indicator Visual

Suggested System Volume 9000 Litres @ 32cSt

Flow rate (varies depending on viscosity, pressure and temperature)

Approx flow at 2.7 bar:	32 cSt	46 cSt	68 cSt	100 cSt	220 cSt	320 cSt	460 cSt
	2.5 l/min	2.0 l/min	1.6 l/min	1.2 l/min	0.8 l/min	0.4 l/min	0.2 l/min
Oil Volume	9000ltrs	7000ltrs	6000ltrs	4800ltrs	3600ltrs	1600ltrs	800ltrs

Micron Rating 0.1 Micron

Weight 17.5 kg

Measure (mm) H 766 x D 261 x L 442

Material SS316

DXO Cartridge 2

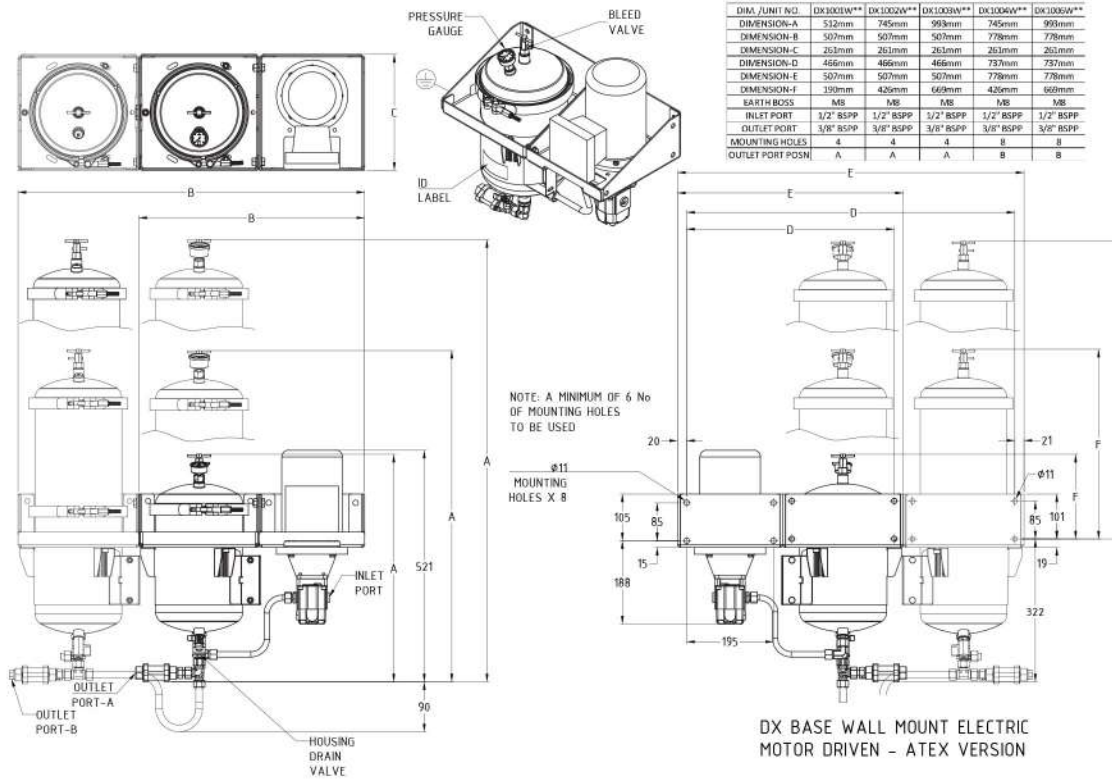
ATEX Zone II 2 G Ex db h IIC T4 Gb +1°C ≤ Ta ≤ 50°C



ایران - تهران - خیابان پاسداران بهستان هشتم
 پلاک ۱ - برج آبتین، طبقه ۴ - واحد ۹
 شماره تماس: ۰۲۱ ۷۳۶۴۰۰۰
 info@rnaco.com



General Arrangement



ایران - تهران - خیابان پاسداران پستمان هشتم
پلاک ۱ - برج آبتین، طبقه ۴ - واحد ۹
شماره تماس: ۰۲۱ ۷۳۶۴۰۰۰
info@rnaco.com

