



DX1003-T-ATEX1

The DX modular housing arrangement offers a flexible and space conscious solution to integrating our innovative DXO Cartridge to both new and existing systems. We provide up to 12 cartridges as a single unit in a compact and easily maintainable layout with a 'push button' oil sampling port.

The unit can be supplied with a number of standard options to provide an effective conditioning and monitoring package to suit the majority of systems. The flexibility of the unit allows tailoring to a customer's specific requirements.

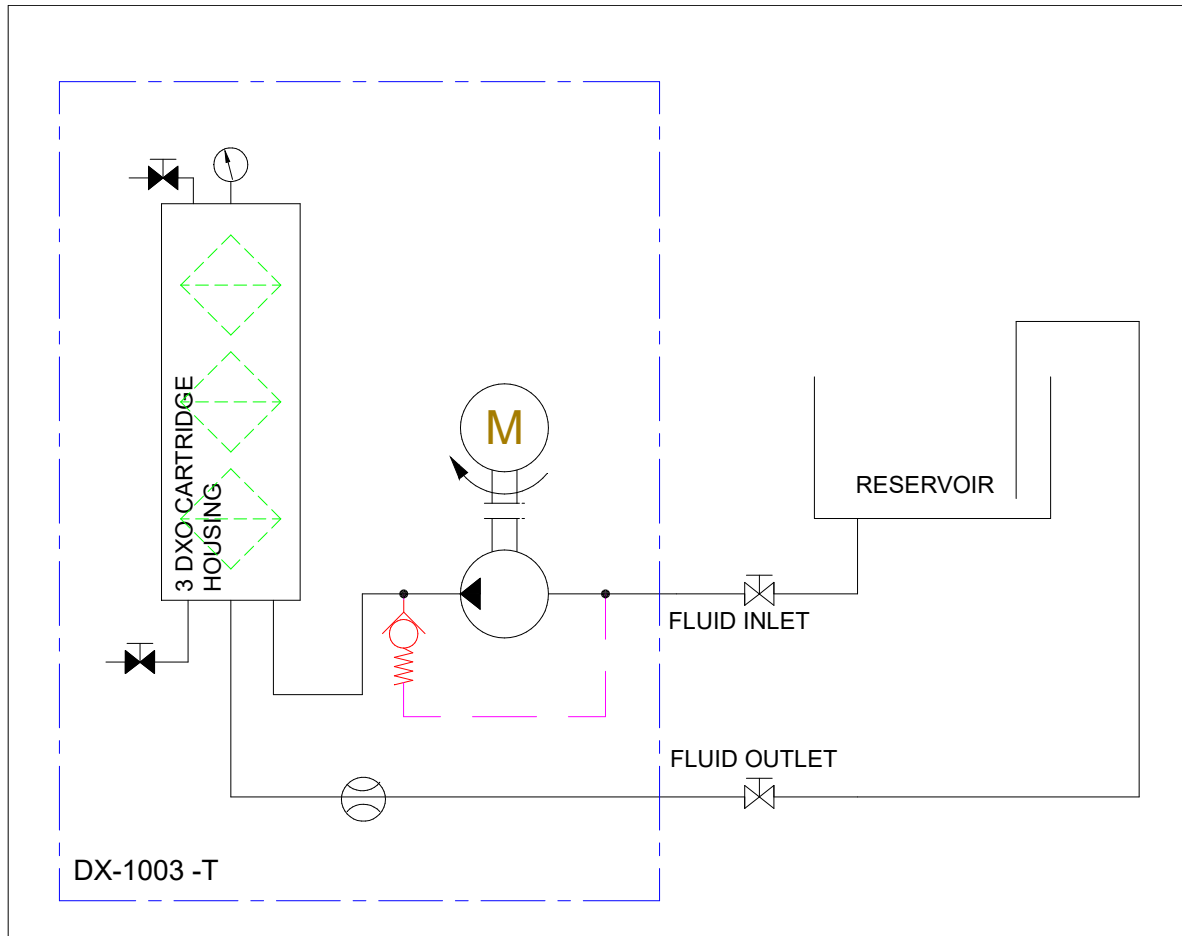


DXO Cartridge

Dirt capacity:	4.5kg, 0.1 micron
Water absorption, free and bound:	M 2600ml
Material insert:	Cellulose, Polypropylene



Technical Specification



DX1003-T-ATEX1

AC Power 0.25-0.37KW, 220-400 VAC, 50/60Hz

Connection Ports 1/2" BSP In & 3/8" BSP Out

Flow Indicator Visual

Suggested System Volume 13,500 litres @ 32cSt

Flow rate (varies depending on viscosity, pressure and temperature)

Approx flow at 2.7 bar:	32 cSt	46 cSt	68 cSt	100 cSt	220 cSt	320 cSt	460 cSt
	3.75 l/min	3.0 l/min	2.4 l/min	1.8 l/min	1.2 l/min	0.6 l/min	0.3 l/min
Oil Volume	13,500ltrs	10,500ltrs	9,000ltrs	7,200ltrs	5,400ltrs	2,400ltrs	1,200ltrs

Micron Rating 0,1 Micron

Weight 30kg

Measure [mm] H 1158 x D 300 x L 550

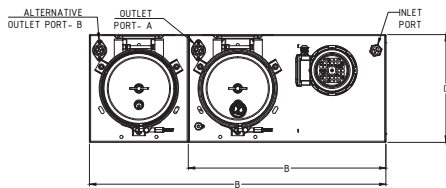
Material SS316

DXO Cartridge 3

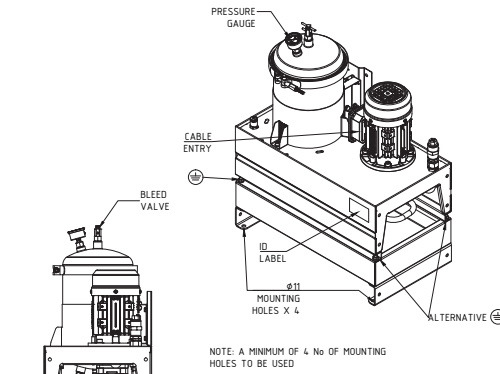
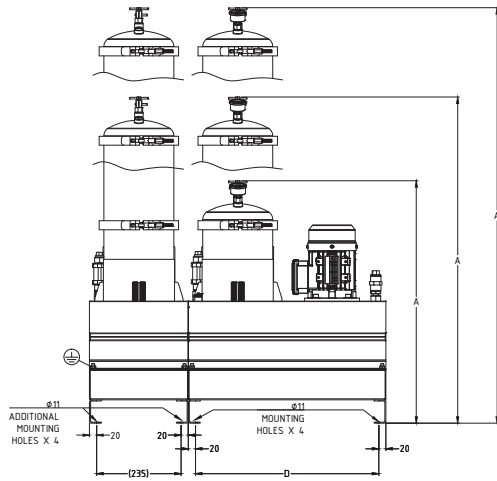
ATEX Zone II 2 G Ex db h IIC T4 Gb +1°C ≤ Ta ≤ 50°C



General Arrangement



DIM. /UNIT NO.	DX1001**	DX1002**	DX1003**	DX1004**	DX1006**
DIMENSION-A	675mm	908mm	1157mm	908mm	1157mm
DIMENSION-B	550mm	550mm	550mm	825mm	825mm
DIMENSION-C	300mm	300mm	300mm	300mm	300mm
DIMENSION-D	510mm	510mm	510mm	785mm	785mm
EARTH BOSS	M8	M8	M8	M8	M8
INLET PORT	1/2" BSPP	1/2" BSPP	1/2" BSPP	1/2" BSPP	1/2" BSPP
OUTLET PORT	3/8" BSPP	3/8" BSPP	3/8" BSPP	3/8" BSPP	3/8" BSPP
MOUNTING HOLES	4	4	4	8	8
OUTLET PORT POSN	A	A	A	B	B



DX BASE TRAY ELECTRIC MOTOR DRIVEN - ATEX VERSION

