



## DX1006-T-ATEX1

The DX modular housing arrangement offers a flexible and space conscious solution to integrating our innovative DXO Cartridge to both new and existing systems. We provide up to 12 cartridges as a single unit in a compact and easily maintainable layout with a 'push button' oil sampling port

The unit can be supplied with a number of standard options to provide an effective conditioning and monitoring package to suit the majority of systems. The flexibility of the unit allows tailoring to a customer's specific requirements.



### DXO Cartridge

Dirt capacity:	4.5kg, 0.1 micron
Water absorption, free and bound:	M 2600ml
Material insert:	Cellulose, Polypropylene

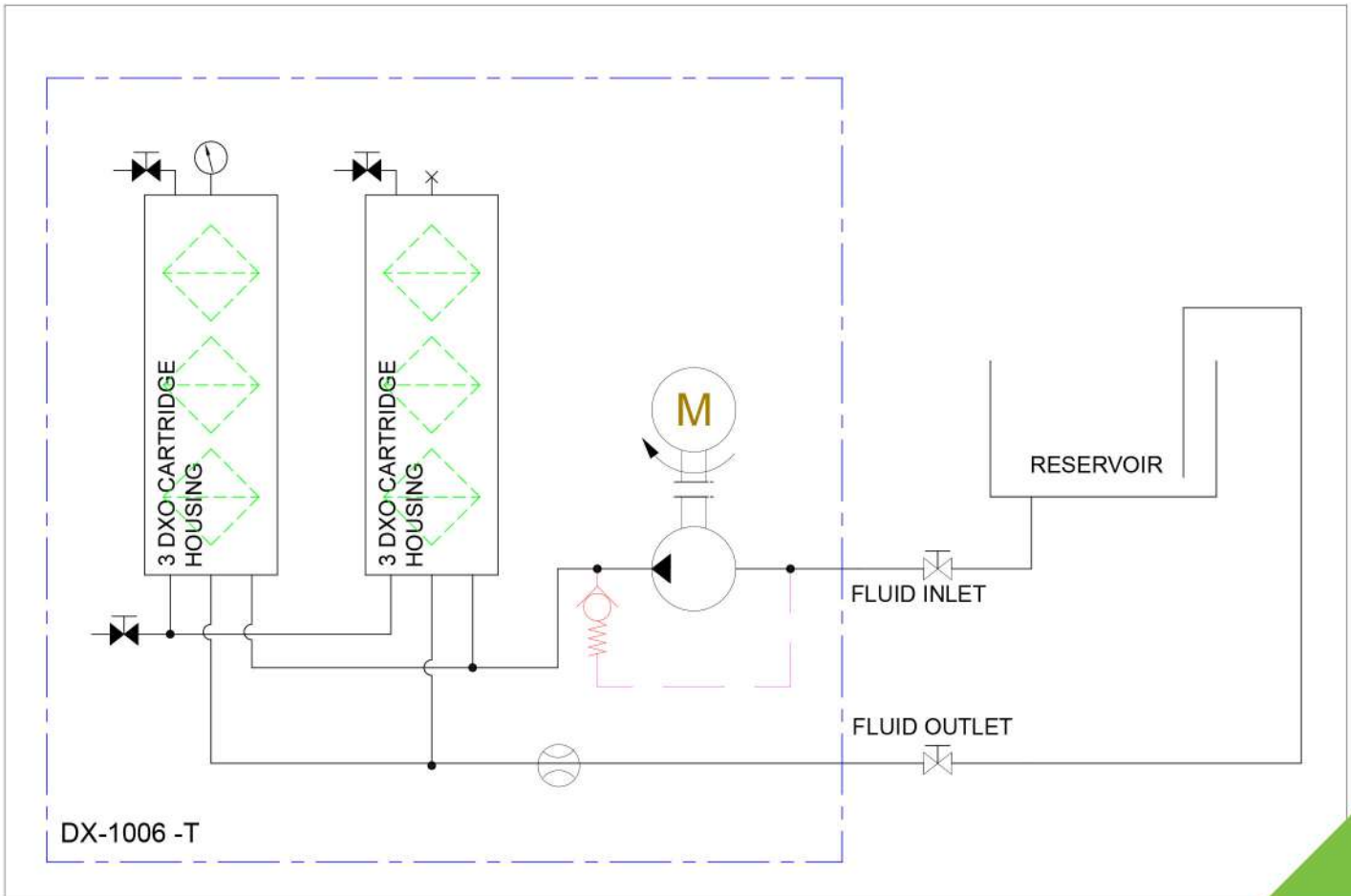


© 2022 Delta-Xero All Rights Reserved. All information contained in this publication is indicative only and may be subject to change without prior notice.



ایران - تهران - خیابان پاسداران بیست و هشتم  
پلاک ۱ - برج آبتین، طبقه ۴ - واحد ۹  
شماره تماس: ۰۲۱ ۷۳۶۴۰۰۰  
info@rnaco.com

## Technical Specification



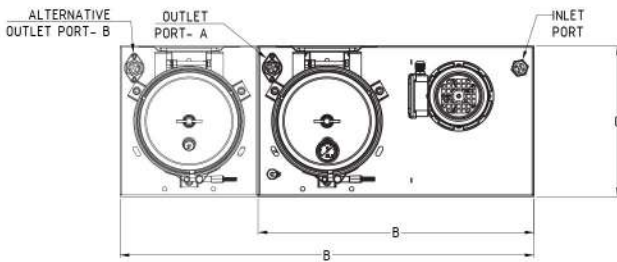
### DX1006-T-ATEX1

AC Power	0,25-0,37KW,220-400 VAC, 50/60Hz																								
Connection Ports	1/2" BSP In & 3/8" BSP Out																								
Flow Indicator	Visual																								
Suggested System Volume	27,000 litres @ 32cSt																								
Typical Flow	<table border="1"> <thead> <tr> <th>Approx flow at 2.7 bar:</th> <th>32 cSt</th> <th>46 cSt</th> <th>68 cSt</th> <th>100 cSt</th> <th>220 cSt</th> <th>320 cSt</th> <th>460 cSt</th> </tr> </thead> <tbody> <tr> <td></td> <td>6.25 l/min</td> <td>5.0 l/min</td> <td>4.0 l/min</td> <td>3.0 l/min</td> <td>2.0 l/min</td> <td>1.0 l/min</td> <td>0.6 l/min</td> </tr> <tr> <td>Oil Volume</td> <td>27000ltrs</td> <td>21000ltrs</td> <td>18000ltrs</td> <td>14400ltrs</td> <td>10800ltrs</td> <td>4800ltrs</td> <td>2400ltrs</td> </tr> </tbody> </table>	Approx flow at 2.7 bar:	32 cSt	46 cSt	68 cSt	100 cSt	220 cSt	320 cSt	460 cSt		6.25 l/min	5.0 l/min	4.0 l/min	3.0 l/min	2.0 l/min	1.0 l/min	0.6 l/min	Oil Volume	27000ltrs	21000ltrs	18000ltrs	14400ltrs	10800ltrs	4800ltrs	2400ltrs
Approx flow at 2.7 bar:	32 cSt	46 cSt	68 cSt	100 cSt	220 cSt	320 cSt	460 cSt																		
	6.25 l/min	5.0 l/min	4.0 l/min	3.0 l/min	2.0 l/min	1.0 l/min	0.6 l/min																		
Oil Volume	27000ltrs	21000ltrs	18000ltrs	14400ltrs	10800ltrs	4800ltrs	2400ltrs																		
Micron Rating	0.1 Micron																								
Weight(kgs)	55																								
Measure (mm)	H 1158 x D 300 x L 825																								
Material	SS316																								
DXO Cartridge	6																								
Atex Zone	II 2 G Ex db h IIC T4 Gb +1°C ≤ Ta ≤ 50°C																								

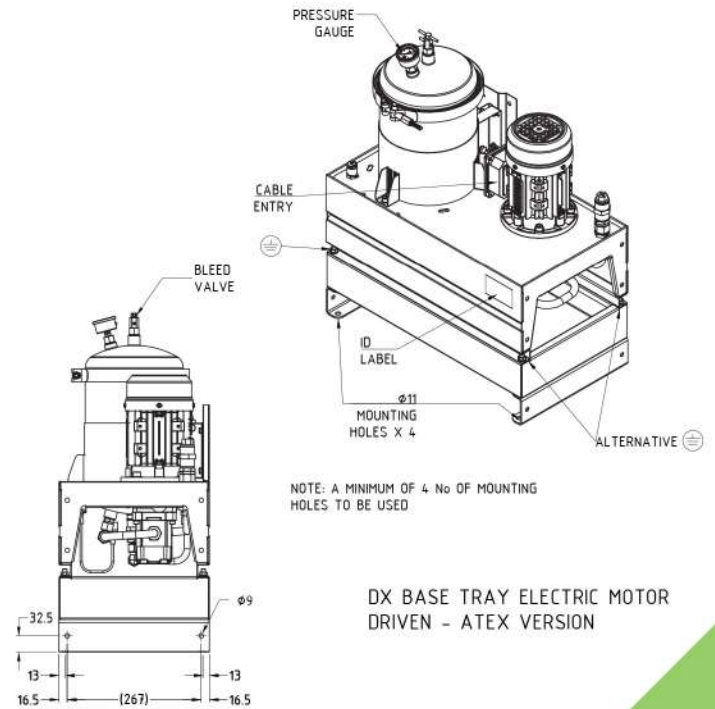
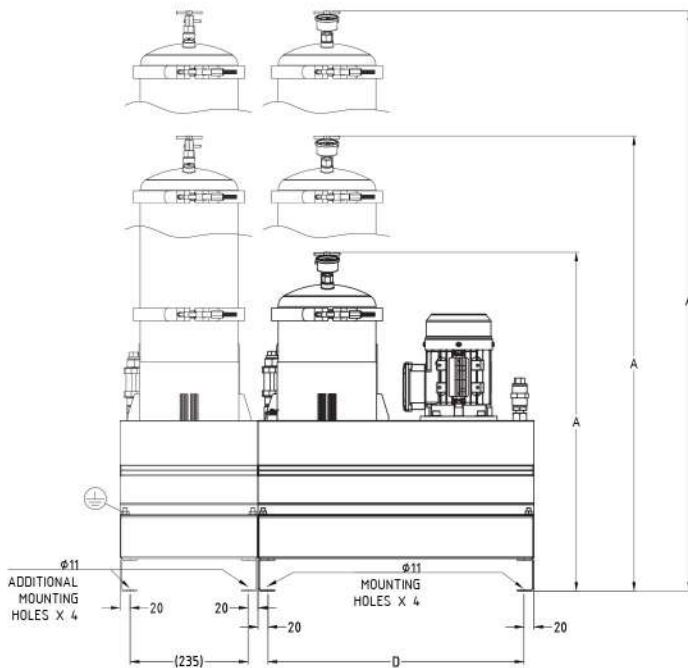


ایران - تهران - خیابان پاسداران بهستان هشتم  
پلاک ۱ - برج آبتین، طبقه ۴ - واحد ۹  
شماره تماس: ۰۲۱ ۷۳۶۴۰۰۰  
info@rnaco.com

## General Arrangement



DIM. / UNIT NO.	DX1001T**	DX1002T**	DX1003T**	DX1004T**	DX1006T**
DIMENSION-A	675mm	908mm	1157mm	908mm	1157mm
DIMENSION-B	550mm	550mm	550mm	825mm	825mm
DIMENSION-C	300mm	300mm	300mm	300mm	300mm
DIMENSION-D	510mm	510mm	510mm	785mm	785mm
EARTH BOSS	M8	M8	M8	M8	M8
INLET PORT	1/2" BSPP	1/2" BSPP	1/2" BSPP	1/2" BSPP	1/2" BSPP
OUTLET PORT	3/8" BSPP	3/8" BSPP	3/8" BSPP	3/8" BSPP	3/8" BSPP
MOUNTING HOLES	4	4	4	8	8
OUTLET PORT POSN	A	A	A	B	B



NOTE: A MINIMUM OF 4 NO OF MOUNTING HOLES TO BE USED

DX BASE TRAY ELECTRIC MOTOR DRIVEN - ATEX VERSION



ایران - تهران - خیابان پاسداران بیست و هشتم  
پلاک ۱ - برج آبتین، طبقه ۴ - واحد ۹  
شماره تماس: ۰۲۱ ۷۳۶۴۰۰۰  
info@rnaco.com