



DX1009-T-ATEX1

The DX modular housing arrangement offers a flexible and space conscious solution to integrating our innovative DXO Cartridge to both new and existing systems. We provide up to 12 cartridges as a single unit in a compact and easily maintainable layout with a 'push button' oil sampling port.

The unit can be supplied with a number of standard options to provide an effective conditioning and monitoring package to suit the majority of systems. The flexibility of the unit allows tailoring to a customer's specific requirements.



DXO Cartridge

Dirt capacity:	4.5kg, 0.1 micron
Water absorption, free and bound:	M 2600ml
Material insert:	Cellulose, Polypropylene

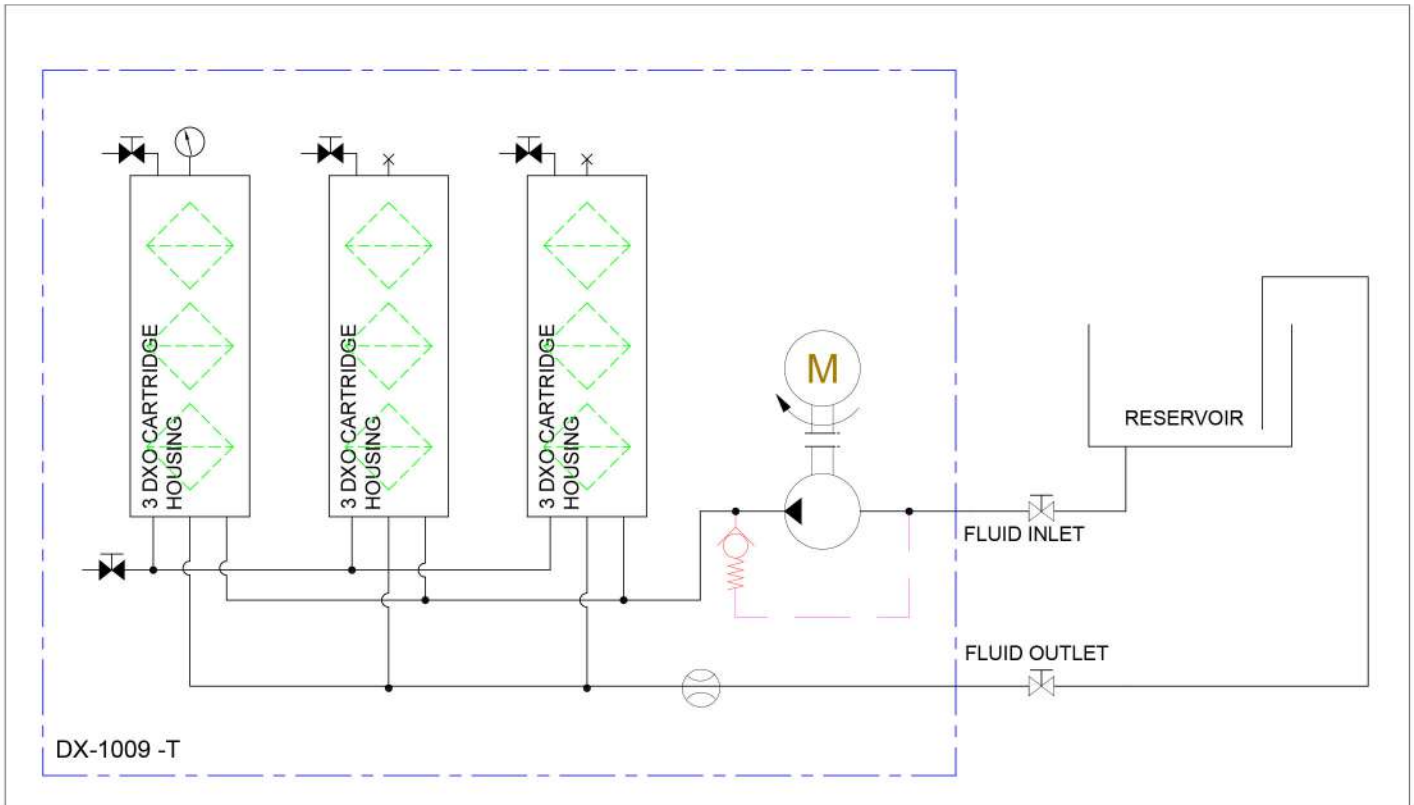


© 2022 Delta-Xero All Rights Reserved. All information contained in this publication is indicative only and may be subject to change without prior notice.



ایران - تهران - خیابان پاسداران پستستان هشتم
پلاک ۱ - برج آبتین، طبقه ۴ - واحد ۹
شماره تماس: ۰۲۱ ۷۳۶۴۰۰۰
info@rnaco.com

Technical Specification



DX1009-T-ATEX1

AC Power 0.25-0.37KW, 220-400 VAC, 50/60Hz

Connection Ports 1/2" BSP In & 1/2" BSP Out

Flow Indicator Visual

Suggested System Volume 40,500 litres @ 32cSt

Flow Rate (varies depending on viscosity, pressure and temperature)

Approx flow at 2.7 bar:	32 cSt	46 cSt	68 cSt	100 cSt	220 cSt	320 cSt	460 cSt
	7.8 l/min	6.75 l/min	5.65 l/min	4.65 l/min	3.5 l/min	1.75 l/min	1.25 l/min
Oil Volume	40500ltrs	31500ltrs	27000ltrs	21600ltrs	16200ltrs	7200ltrs	3600ltrs

Micron Rating 0,1 Micron

Weight 70kg

Measure [mm] H 1158 x D 300 x L 1100

Material SS316

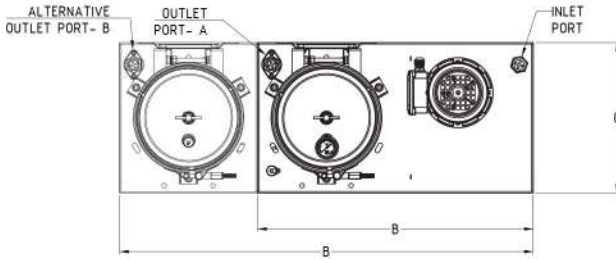
DXO Cartridge 9



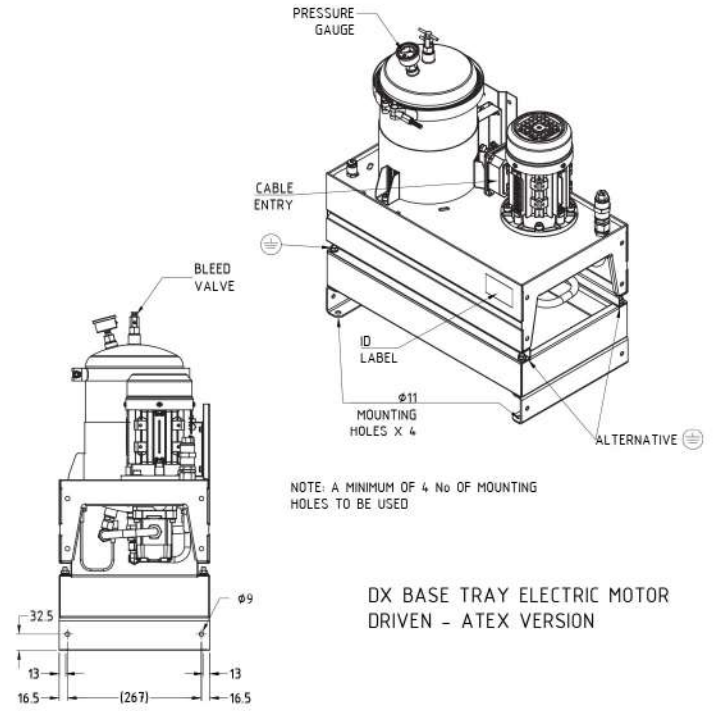
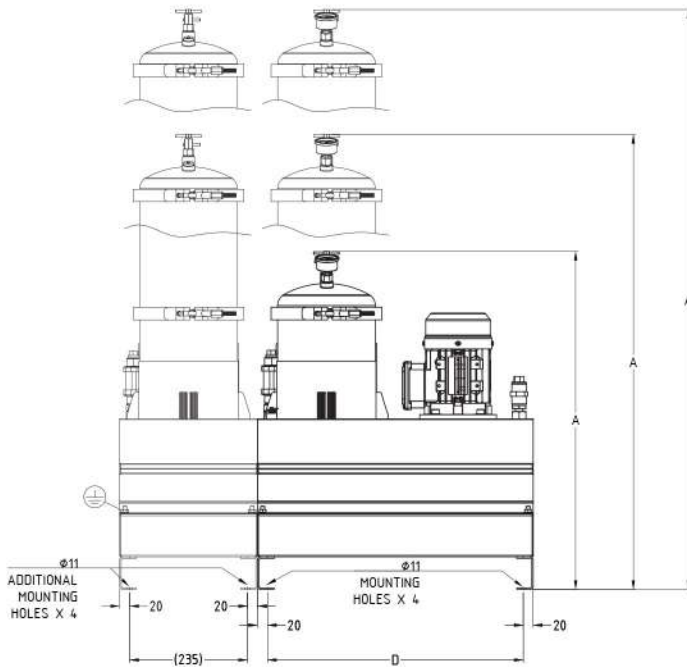
ایران - تهران - خیابان پاسداران بهستان هشتم
 پلاک ۱ - برج آبتین، طبقه ۴ - واحد ۹
 شماره تماس: ۰۲۱ ۷۳۶۴۰۰۰
 info@rnaco.com



General Arrangement



DIM. / UNIT NO.	DX1001T**	DX1002T**	DX1003T**	DX1004T**	DX1006T**
DIMENSION-A	675mm	908mm	1157mm	908mm	1157mm
DIMENSION-B	550mm	550mm	550mm	825mm	825mm
DIMENSION-C	300mm	300mm	300mm	300mm	300mm
DIMENSION-D	510mm	510mm	510mm	785mm	785mm
EARTH BOSS	M8	M8	M8	M8	M8
INLET PORT	1/2" BSPP	1/2" BSPP	1/2" BSPP	1/2" BSPP	1/2" BSPP
OUTLET PORT	3/8" BSPP	3/8" BSPP	3/8" BSPP	3/8" BSPP	3/8" BSPP
MOUNTING HOLES	4	4	4	8	8
OUTLET PORT POSN	A	A	A	B	B



ایران - تهران - خیابان پاسداران بیست و هشتم
پلاک ۱ - برج آبتین، طبقه ۴ - واحد ۹
شماره تماس: ۰۲۱ ۷۳۶۴۰۰۰
info@rnaco.com