



DX1012-T-ATEX1

The DX modular housing arrangement offers a flexible and space conscious solution to integrating our innovative DXO Cartridge to both new and existing systems. We provide up to 12 cartridges as a single unit in a compact and easily maintainable layout with a 'push button' oil sampling port.

The unit can be supplied with a number of standard options to provide an effective conditioning and monitoring package to suit the majority of systems. The flexibility of the unit allows tailoring to a customer's specific requirements.



DXO Cartridge

Dirt capacity:	4.5kg, 0.1 micron
Water absorption, free and bound:	M 2600ml
Material insert:	Cellulose, Polypropylene

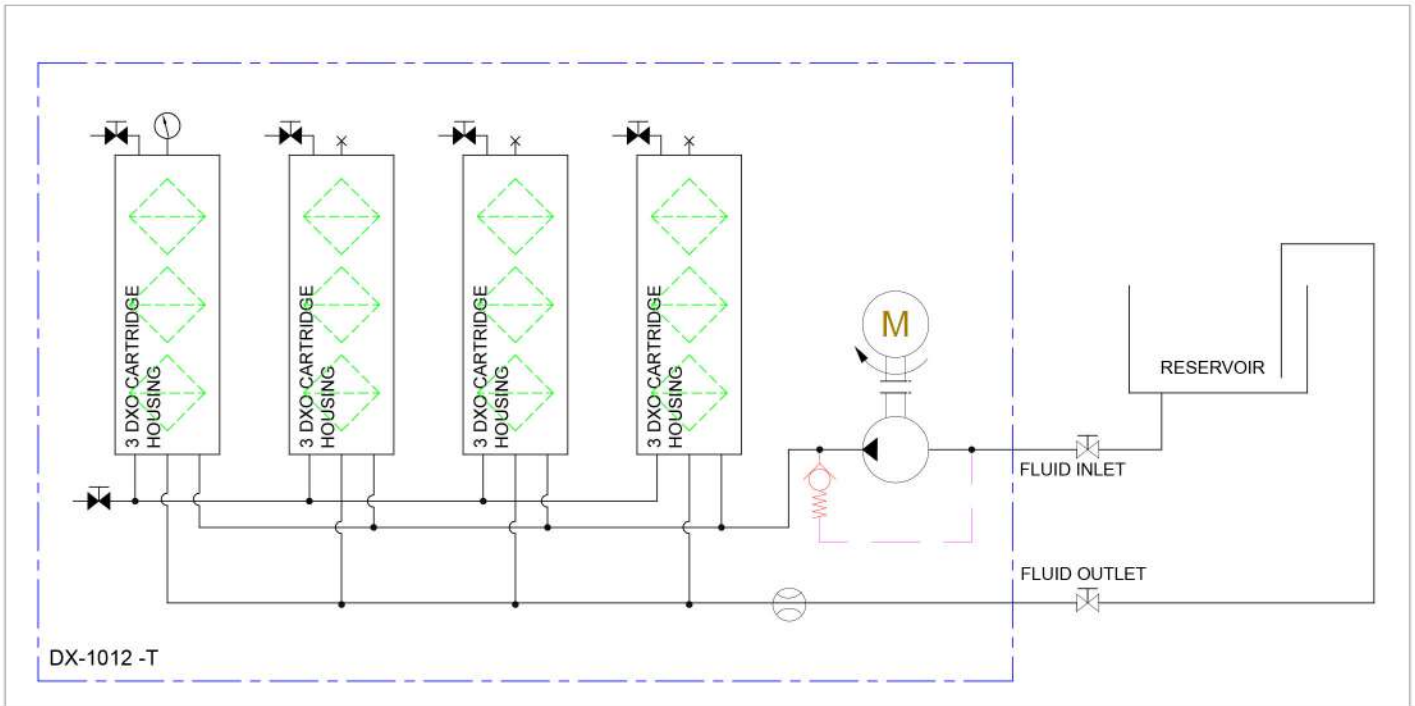


© 2022 Delta-Xero All Rights Reserved. All information contained in this publication is indicative only and may be subject to change without prior notice.



ایران - تهران - خیابان پاسداران بیست و هشتم
پلاک ۱ - برج آبتین، طبقه ۴ - واحد ۹
شماره تماس: ۰۲۱ ۷۳۶۴۰۰۰
info@rnaco.com

Technical Specification



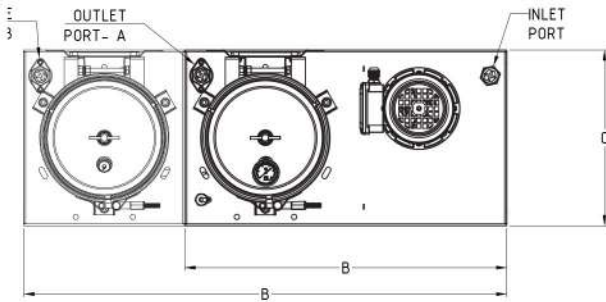
DX1012-T-ATEX1

AC Power	0.25-0.37KW, 220-400 VAC, 50/60Hz		
Connection Ports	1/2" BSP In & 1/2" BSP Out		
Flow Indicator	Visual		
Suggested System Volume	72,000 litres @ 32cSt		
Flow Rate <small>(varies depending on viscosity, pressure and temperature)</small>	Approx flow at 2.7 bar:	32 cSt 12.7 l/min	46 cSt 9 l/min
	Oil Volume	72000ltrs	61000ltrs
Micron Rating	0.1 Micron		
Weight	85kg		
Measure (mm)	H 1158 x D 300 x L 1374		
Material	SS316		
DXO Cartridge	12		
ATEX Zone	II 2 G Ex db h IIC T4 Gb +1°C ≤ Ta ≤ 50°C		

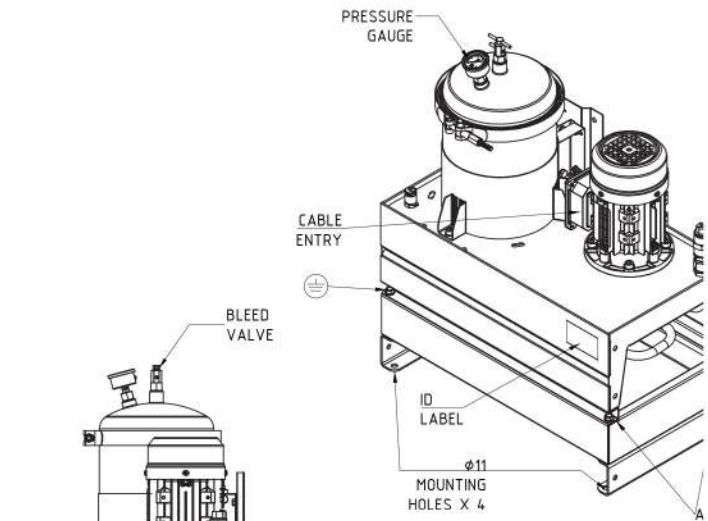
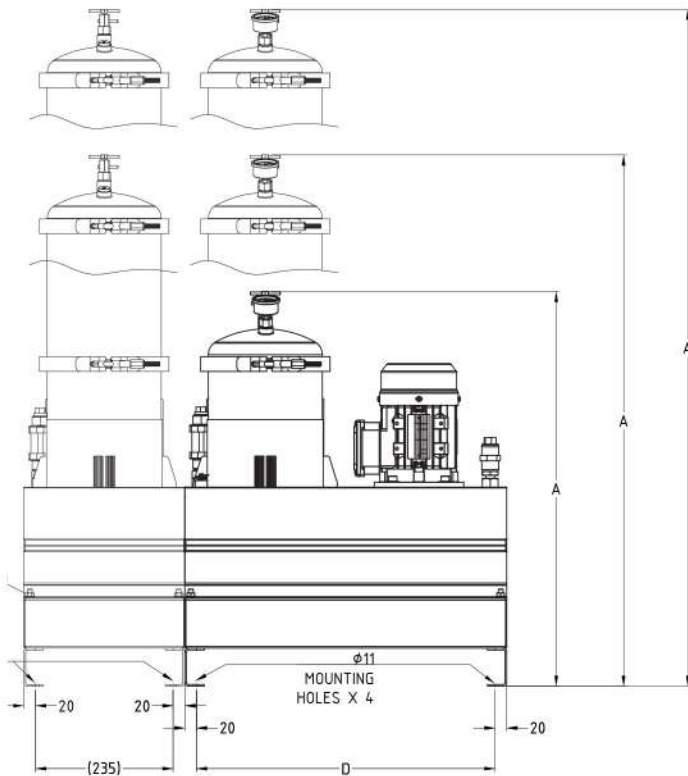


ایران - تهران - خیابان پاسداران بیست و هشتم
 پلاک ۱ - برج آبتین، طبقه ۴ - واحد ۹
 شماره تماس: ۰۲۱ ۷۳۶۴۰۰۰
 info@rnaco.com

General Arrangement

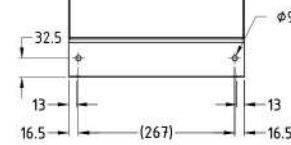


DIM. /UNIT NO.	DX1001T**	DX1002T**	DX1003T**	DX1004T**	DX1006T**
DIMENSION-A	675mm	908mm	1157mm	908mm	1157mm
DIMENSION-B	550mm	550mm	550mm	825mm	825mm
DIMENSION-C	300mm	300mm	300mm	300mm	300mm
DIMENSION-D	510mm	510mm	510mm	785mm	785mm
EARTH BOSS	M8	M8	M8	M8	M8
INLET PORT	1/2" BSPP	1/2" BSPP	1/2" BSPP	1/2" BSPP	1/2" BSPP
OUTLET PORT	3/8" BSPP	3/8" BSPP	3/8" BSPP	3/8" BSPP	3/8" BSPP
MOUNTING HOLES	4	4	4	8	8
OUTLET PORT POSN	A	A	A	B	B



NOTE: A MINIMUM OF 4 No OF MOUNTING HOLES TO BE USED

DX BASE TRAY ELECTRIC DRIVEN - ATEX VERSION



ایران - تهران - خیابان پاسداران بیست و هشتم
پلاک ۱ - برج آبتین، طبقه ۴ - واحد ۹
شماره تماس: ۰۲۱ ۷۳۶۴۰۰۰
info@rnaco.com